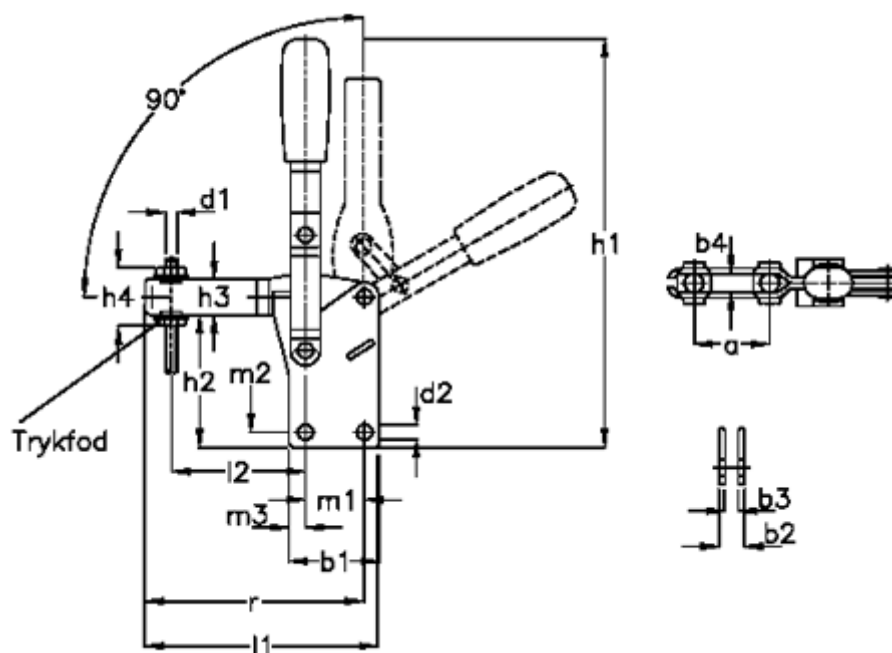


Article number: 208101130BNI

Description: E+G Klee vertical clamp GN 810.1-130-B-NI
forked clamping arm

Measures



a = 28	h2 = 42	m3 = 8.0
b1 = 35	h3 = 14	r = 79.0
b2 = 10	h4 = 27.0	Size = 125
b3 = 5	Holding force N = 1600	
b4 = 6.5	l1 = 86	
d1 = M6	l2 = 51	
d2 = 5.5	m1 = 19	
h1 = 156	m2 = 7	